



August 2009



# The Messenger

Worship  
in Faith,  
Make  
Disciples  
serve  
love  
honor

## WOMEN OF THE ELCA CONVENTION Donations Requested

Registration has closed for the Women of the ELCA Synodical Convention August 7-9, 2009 at Camp Allen. Elizabeth Curtice will be attending as our delegate, and Peggy Mann has been nominated for the 2010 Nominating Committee.

However, you can be a part of the convention by donating items for the Country Store or Silent Auction or contributing to the offering.

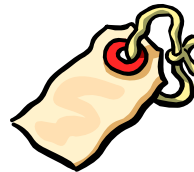


You would be part of the Women of the ELCA global mission with these donations. The

Country Store and Silent Auction will be raising funds for the "Water to Thrive" project and for our companion synods, Costa Rica, Central African Republic and Peru.

The monetary offerings will be split between Women of the ELCA, LSSS and Lutherhill.

For the Country Store, they are asking for homemade craft or food items. With any food item, be sure to include the recipe so it can be enjoyed again. Please pre-price your Country Store items and give an approximate value of your Silent Auction items. These can be put in the box



under the stairs to the church office or given to Beverly Curtice.



Linda Post Bushkosfsky, Churchwide Executive Director of the Women of the ELCA, and the keynote speaker for the convention will be arriving early to visit with congregational units. She is scheduled to attend our August Birthday Ladies' Luncheon.

## CONGREGATION MEETING—Sunday, August 23, 12:15pm

The council has been soliciting goals from members for a vote and adoption at our congregational visioning meeting, to take place on Sunday, August 23 at 12:15pm.

These goals are important because they establish targets for our church to strive towards and will help define what projects we initiate in the future. More information on the goal selection and visioning process is also available at [www.hopelca.org](http://www.hopelca.org).

A "Goal Table" display is currently in the narthex. Please stop by the table if you would like more information. See you on August 23rd at 12:15pm!



## CROSS CROSSLET

This cross is formed of four smaller Latin crosses joined at their overlapping bases. The cross as a whole represents the spreading of the gospel to the four corners of the earth. This cross is often used in connection with missions.

Information used by permission of The Newsletter Newsletter—August 2009



## PRAYER CHAIN

**PLEASE PRAY FOR THE FOLLOWING:** Barbara Alfred, Amber, Johanna Anderson, Kyle Balusek, Rose Marie Badough, Pastor Barb Bartling, Bill Brown, Anne Buchanan, John and Pat Carlson, Vanessa Cizmar, Carole Cunningham, Rebecca Dodd, Chris & Kim Ensmann, Lana Evans Fisher, Ray Fetterman, Donald Hackler, Nita Hammock, Byron Heist, Susan Herd, Gerald Hintz, Rick Jackson, Patty Lawrence, Kristin Linn, Carl Lueders, Sue Lyon, Pastor David Mancuso, Donald Maretti, Jay Marschke, Becky McCleary, Richard McCoy, Rev. John Mills, Jonathan O'Malley, Carol Martin, Randy Oak, Frances Patterson, Helen Peszko, Norm Price, Anna Roschke, Saxton Saenz, Susan Schreffler, Margaret Spivey, Einar and Martha Sundstrom, Douglas Szopa, Dick Theis, Norma Thompson, Esperanza Vasquez, Ruth Williams, Jim Wright and Walt Wright.



*Please help us keep our prayer chain current. Contact either Anneke Ensmann (281-488-8158) or Carolyn Myers (281-326-1840) or the church office (281-488-4439) with updates or additions. Thank you!*



Bob Crotteau, Jeff Peterson, Jeremy Thompson (August 2), Beverly Curtice (August 6), Tristan Benes, Jacqueline Haugen (August 7), Joseph Legitt, Elaine Simonds (August 8), Seth Clark (August 10), Rylan Basci, Dick Pautsch (August 11), Leeandra Pomales (August 14), Beth Aslaksen (August 15), Kathy Lueders, Moria Pechacek (August 16), Audrey Johnston (August 17), George Abbey, Sr. (August 21), Susan Allison, Richard Carlson, Carol Griffin, Tom Lewis, Kurt Swanson (August 26), Madeleine Crotteau, Wim Harris-Ryden, Jane Markle, Crystal Plumb, Kelly Rivera (August 27), Ruth Cox (August 28), Emma Baker, Kevin Carlson, Sheryl Shipman, Kendall Vassberg (August 31)

Dave & Delayne McCullough—August 1  
 Jason & Kate Pettrey—August 2  
 Tom & Patty Strawmyer—August 5  
 Doug & Johanna Mathera—August 7  
 Doug & Judy Samuelson—August 7  
 Dan & Marlene Skiba—August 8  
 Joe & Gloria Pechacek—August 9  
 Doug & Deloris Dugdale—August 10  
 Chris & Debbie Cromer—August 13  
 Bret & Becky McCleary—August 14  
 Kurt & Sonia Swanson—August 19  
 Ute Trejo—August 19  
 Ray & Martha Fetterman—August 30  
 Larry & Geri Spratlin—August 30



## LADIES LUNCHEON—Thursday, August 6, 11:30am

Please join us for a delightful luncheon on Thursday, August 6, at 11:30 am at PERRY'S ITALIAN KITCHEN. It is located at 1001 Pinelock Drive in Clear Lake City. We will celebrate our ladies' August birthdays.

We invite all ladies to join us. Just make your reservations by calling Anneke Ensmann (281-488-



### Ladies Luncheon

3755) or Sonia Swanson (281-488-3755) by Tuesday of that week. In lieu of gifts a donation may be made

to MEALS ON WHEELS. Just write Meals on Wheels on the memo section of your check to House of Prayer.

Thanks to all the ladies who donated \$321.00 to ICM last month for School Supplies. The children will appreciate this needed gift. Invite someone to join us at Perry's Italian August 6th.

## THE LITTLEST LUTHERANS GROUP OUTING—Saturday, August 15 2009

The Parents of Young Children group contact, Elaine Simonds, is forming a new group for families with children pre-school age and younger. After speaking to some families, she found that interest is growing for a monthly outing to Clear Lake Park. The group is named "The Littlest Lutherans" and is going to get together the third Saturday of every month at Clear Lake Park. The group will basically have play time and enjoy each others company. All parents can bring their own snacks or meals as needed. If you are interested in attending this event, call Elaine at 713-591-8581.

## SENIOR HIGH POOL PARTY—McCleary Family Home Sunday, August 16 2009, 6-8pm

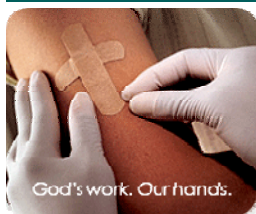
The Senior High group will be enjoying the end of school at the home of the McCleary family (17110 Loblolly Bay Court, Houston, 77059.) If you are interested in attending this event, please contact the family at 281/486-2494.



## BOOK CLUB—Tuesday, August 18 2009, 7:30pm

House of Prayer's Book Club will meet on Tuesday, August 18, 2009 at 7:30 pm at the church in the downstairs room next to the kitchen. The book for August is the book "Letter to the Hebrews" in the Bible. Beverly Curtice has refreshments. Hope to see you there!

## LEADERSHIP SUMMIT—Saturday August 29 2009, 8:30am-4:30pm



The Texas Louisiana Gulf Coast Synod is coordinating a leadership event whose goal is to infiltrate every area of congregational leadership with a new vision for evangelism. Everyone is invited to attend this day of training on Saturday, August 29 at Covenant Lutheran Church (3785 Barker Cypress Rd.)

Four year olds through 5 graders are welcome to register for a special children's program and asked to bring a sack lunch. A nursery is available for infants and toddlers through age 3 years. Cost is \$10 per child. Middle and high school students are invited into the Saturday morning main session and encouraged to attend the workshop of their choice. Spanish translation is no problem either! A translator will be on site and headset equipment is available for up to 20 people. A small assortment of books will be available for purchase. Cash, checks (made to TLGCS) and credit cards are accepted.

Go online and download the brochure to get ALL the information about schedule, workshops available, and a contact name if you have more questions. Download the pdf brochure at <http://www.gulfcoastsynod.org/FallLeadershipSummit.htm>. Keep your eyes out for the sign-up sheet on the bulletin board in the narthex.

House of Prayer Lutheran Church  
14045 Space Center Blvd.  
Houston, TX 77062  
Phone Number 281-488-4439  
Fax Number 281-488-4295

RETURN SERVICE  
REQUESTED

Non-Profit Organization  
U.S. Postage Paid  
WEBSTER, TEXAS 77598  
PERMIT NO.16

Pastor Marcus Otterstad  
prmarcus@hopelca.org

Rebecca Clark, Preschool Director  
becca@hopelca.org

Michael Lyons, Praise Team Director  
mlyons@gchd.org

Howard Holt, Choir Director  
tbn46@hotmail.com

Virginia Blasczyk, Organist  
ginny2359@yahoo.com

Elida Lopez, Secretary  
office@hopelca.org



*"Life is Good; 888 Reasons Why" by Amy Hall*

Reason Number 284: Popping bubbles floating in the air with a fingertip.



If you would like to submit an article for Newsletter consideration, please submit your article to the Church office by the 15th. **For example, submit September 2009 article by Friday, August 14.** Email article in an MS Word document to office@hopelca.org or mail to office at the address listed at the top of this page.

## DINNER FOR 8—Saturday, September 12 2009, 6:30pm

Please join us for another round of DINNER FOR EIGHT on Saturday, SEPTEMBER 12 at 6:30 PM.

We will have a Pot Luck Dinner with Games afterward in the Upper Fellowship Room. CHILD CARE will be available this evening.

New groups of 8 adults will get together once a month from October thru January for a meal (sometimes we have Lunch or Brunch) and fellowship.

Participating pairs will take turns hosting a pot-luck meal. If the groups choose to eat in a restaurant, an



House of Prayer

DINNER FOR 8

appropriate price range will be determined. These groups have been most enjoyable and have helped us become better acquainted.

Those desiring to continue this fellowship will sign up again for the February through May gatherings with new groups. Activities may be incorporated by the groups.

We hope this appeals to you! SIGN UP in the narthex and invite a friend or new acquaintance to join us! BRING A GAME to share. For further information, contact Kurt and Sonia Swanson (281-488-3755). There are information sheets in the narthex as well.

## WHAT ARE YOUR GOALS FOR HOUSE OF PRAYER?

The council is soliciting suggested goals from members for a vote and adoption at our congregational visioning meeting, to take place at the end of July/early August.

These goals are important because they establish targets for our church to strive towards and will help define what projects we initiate in the future.

You may submit as many suggested goals as you like; two will be adopted for each ministry area at the congregational visioning meeting.

For more information and/or to submit your suggested goals in writing, please contact any of the ministry coordinators **before August 9 2009**:

Paul Larson – Faith Coordinator

Education & Fellowship Areas; paul.larson@shell.com

Christine Smith – Discipleship Coordinator Worship & Evangelism Areas

faithcmb9@yahoo.com

Rebecca Johnston – Service Coordinator

Community Service/Public Involvement & Church Stewardship Areas

vrcajohnston@sbcglobal.net

More information on the goal selection and visioning process is also available at [www.hopelca.org](http://www.hopelca.org).

What a great week we had at HOP's Lutherhill Day Camp! Our theme was SpiritLife. We learned that the Holy Spirit gives each of us special gifts, helps us share these gifts, and helps us spread the Word. Each day was filled with worship, bible study, arts and crafts, games, snacks, and lots of singing. There were 28 children at Day Camp this year. In addition to Lutherhill Day Camp, we also had a special Vacation Bible School for our Pre-Kindergarten age children. There were 14 children in this group. Patricia Silva was the teacher and she was assisted by Terri Bowers, Alex Mann and Devon Laughlin. This week could not have been possible without our great volunteers. Our youth worked with the counselors from Lutherhill to lead our children. These included Sarah and Samantha Norlin, Ryan Ensmann, Sean Laughlin, and Cassie Nagle. Additional volunteers worked outside the classroom. Sonia Swanson made sure snacks were ready on time, and Barbara Nagle supervised children before and after Day Camp. Steve Norlin helped us set up for the ice cream social and videoed our closing activities. Alma and Dennis Sbach hosted the counselors in their home for the week. The counselors' evening meals were provided by Steve and Mary Norlin, Peggy Mann, Rich and Elaine Simonds, Ron and Jean Price, and Pastor Marcus. The congregation deserves a big THANK YOU for all the donations you shared with us for snacks, drinks, pizza, and lunches for the counselors.

—Mary Norlin and Marianne Schmidt.

# Women of the ELCA~September 2009-May 2010 Bible study

The special women's bible study coordinators have chosen it's first topic to discuss: "To God's Beloved: Paul's Letter to the Romans" by the Rev. Dr. Sarah Henrich, professor of New Testament at Luther Seminary in St. Paul, Minnesota

This Bible study will be included in every issue of Lutheran Woman Today (LWT) magazine. For information on subscribing to Lutheran Woman Today, contact [subscriptions@augsborgfortress.org](mailto:subscriptions@augsborgfortress.org) or call 800-326-4648. The cost is \$12 for 10 issues. It is not necessary that you have the magazine to attend.

We will be meeting the 4<sup>th</sup> Tuesday of each month at the church at 7:30 pm. We will discuss at the first meeting the exact days since the timing may interfere with Bingo at Regency Village, Thanksgiving and Christmas Holidays.

## TENTATIVE SCHEDULE

September 22, 2009-Session 1

### **So That We Might Be Mutually Encouraged by Each Other's Faith**

"For I am not ashamed of the gospel; it is the power of God for salvation to everyone who has faith, to the Jew first and also to the Greek." (*Romans 1:16*)

October 27, 2009-Session 2

### **The Obedience of Faith**

"For this reason it depends on faith, in order that the promise may rest on grace." (*Romans 4:16a*)

November 24, 2009-Session 3

### **Hope Does Not Disappoint**

"So you also must consider yourselves dead to sin and alive to God in Jesus Christ." (*Romans 6:11*)



Women  
of the  
**EVANGELICAL  
LUTHERAN  
CHURCH  
IN AMERICA**

December 22, 2009-Session 4

### **Moved to a New Address**

"Present your members to God as instruments of righteousness." (*Romans 6:13b*)

January 26, 2010-Session 5

### **Nothing Can Separate Us**

"Likewise the spirit helps us in our weakness. . . . That very Spirit intercedes with sighs too deep for words." (*Romans 8:26*)

February 23, 2010-Session 6

### **Does God Keep Promises?**

"For the gifts and the calling of God are irrevocable." (*Romans 11:29*)

March 23, 2010-Session 7

### **The Renewing of Our Minds**

"Present your bodies as a living sacrifice . . . be transformed by the renewing of your minds, so that you may discern what is the will of God." (*Romans 12:1-2*)

April 27, 2010-Session 8

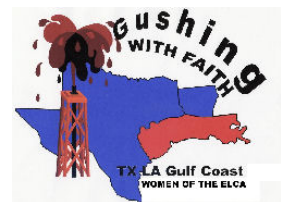
### **Holy Hospitality**

"Welcome one another, therefore, as Christ has welcomed you, for the glory of God the Father." (*Romans 15:7*)

May 25, 2010-Session 9

### **Wise in What is Good**

"I want you to be wise in what is good and guileless in what is evil." (*Romans 16:19*)

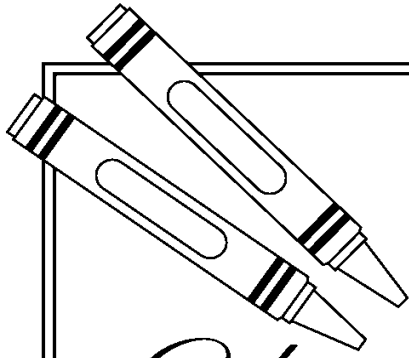


## FORGIVE THE INEXCUSABLE

To be a Christian means to forgive the inexcusable, because God has forgiven the inexcusable in you. This is hard. It is perhaps not so hard to forgive a single injury. But to forgive the incessant provocations of daily life - to keep on forgiving the bossy mother-in-law, the bullying husband, the nagging wife, the selfish daughter, the deceitful son - how can we do it? Only, I think, by remembering where we stand, by meaning our words when we say in our prayers each night, "Forgive us our trespasses as we forgive those who trespass against us." We are offered forgiveness on no other terms. To refuse it means to refuse God's mercy for ourselves. There is no hint of exceptions and God means what He says.

C.S. Lewis





# Just for **KIDS**

## Upon your hearts

The Bible is the perfect guidebook for living God-pleasing lives. Deuteronomy 6:6-8 (NIV) tells us how to remember the Scriptures.

Use the picture clues and Word Bank below to finish the verses.

### WORD BANK

children	road
commandments	sit
down	Talk
foreheads	Tie
hands	up
hearts	walk
home	



1



2



3



4



5



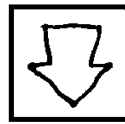
6



7



8



9



10



11



12



13

“These (1) \_\_\_\_\_ that I give you today are to be upon your (2) \_\_\_\_\_. Impress them on your (3) \_\_\_\_\_. (4) \_\_\_\_\_ about them when you (5) \_\_\_\_\_ at (6) \_\_\_\_\_ and when you (7) \_\_\_\_\_ along the (8) \_\_\_\_\_, when you lie (9) \_\_\_\_\_ and when you get (10) \_\_\_\_\_. (11) \_\_\_\_\_ them as symbols on your (12) \_\_\_\_\_ and bind them on your (13) \_\_\_\_\_.”

Answers: (1) commandments; (2) hearts; (3) children; (4) Talk; (5) sit; (6) home; (7) walk; (8) road; (9) down; (10) up; (11) Tie; (12) hands; (13) foreheads